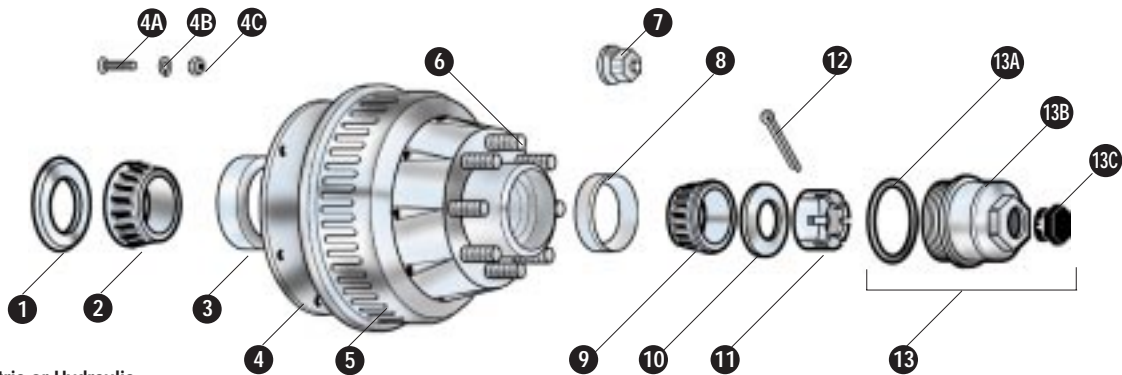


ALKO Heavy Duty Axle



12¼ Hub & Drum for 99 Spindle



Electric or Hydraulic
Hub and Drum Assembly

No.	Hub Part Description	Part No.
1	Oil Seal	568271
2	Inner Bearing Cone, 28580	568125
3	Inner Cup, 28521	568152
♦ 4	Armature Plate	568261
♦ 4A	Flat Head Bolt, ¼" – 20	568263
♦ 4B	Lock Washer, ¼"	568264
♦ 4C	Hex Nut, ¼" – 20	568265
◇ 5	Flat Face Hub/Drum Assembly	568270
6	Wheel Stud, ⅝"	363910
◇ 7	Dual Wheel Nut – Swiveling Flange, ⅝"	568216
8	Outer Cup, 25520	568153
9	Outer Bearing Cone, 25580	568130
10	Spindle Washer	568136
11	Spindle Nut	568135
12	Cotter Pin	568137
13	Oil Cap Assembly	568220
13A	O-Ring	568222
13B	Oil Cap	568221
13C	Oil Cap Plug	568223

◇ Used with Flat Face Wheels

♦ For Electric Brake Only (see page 8)

ALKO KOBER CORPORATION

21611 Protecta Dr.
Elkhart, IN 46516
219-294-6651
219-294-7267 Fax

301 N. Kennedy
Shawnee, OK 74801
405-273-9315
405-273-1054 Fax

315 Road 911
Baldwyn, MS 38824
601-365-5566
601-365-9222 Fax