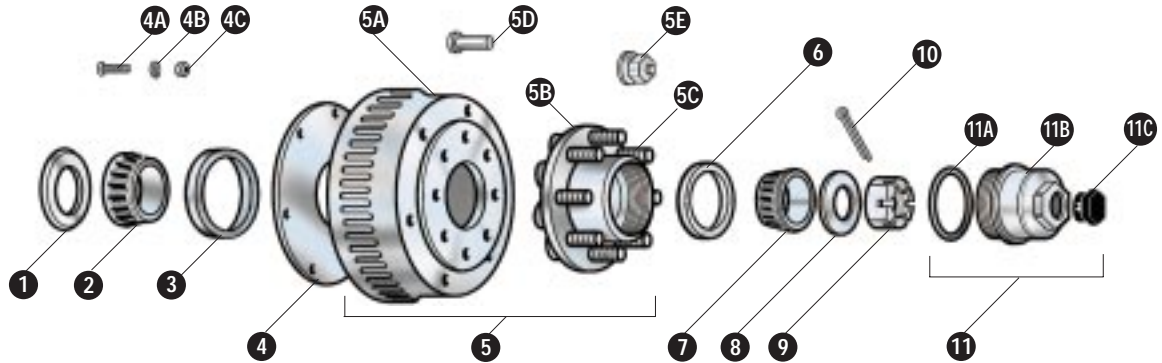


# ALKO Heavy Duty Axle



## 12 1/4 Hub & Drum for 120 Spindle



Electric or Hydraulic Hub and Drum Assembly

No.	Hub Part Description	Part No.
1	Oil Seal	568217
2	Inner Bearing Cone, JM511946	568219
3	Inner Cup, JM511910	568267
♦ 4	Armature Plate	568261
♦ 4A	Flat Head Bolt, 1/4" – 20	568263
♦ 4B	Lock Washer, 1/4"	568264
♦ 4C	Hex Nut, 1/4" – 20	568265
◇ 5	Flat Face Hub/Drum Assembly	568260
5A	Drum	—
◇ 5B	Flat Face Hub	568215
5C	Wheel Stud, 5/8"	363910
5D	Hub/Drum Mounting Bolt	568262
◇ 5E	Dual Wheel Nut – Swiveling Flange, 5/8"	568216
6	Outer Cup, JM205110	568266
7	Outer Bearing Cone, JM205149	568218
8	Spindle Washer	568136
9	Spindle Nut	568135
10	Cotter Pin	568137
11	Oil Cap Assembly	568220
11A	O-Ring	568222
11B	Oil Cap	568221
11C	Oil Cap Plug	568223

◇ Used with Flat Face Wheels

♦ For Electric Brake Only (see page 8)

## ALKO KOBER CORPORATION

21611 Protecta Dr.  
Elkhart, IN 46516  
219-294-6651  
219-294-7267 Fax

301 N. Kennedy  
Shawnee, OK 74801  
405-273-9315  
405-273-1054 Fax

315 Road 911  
Baldwyn, MS 38824  
601-365-5566  
601-365-9222 Fax