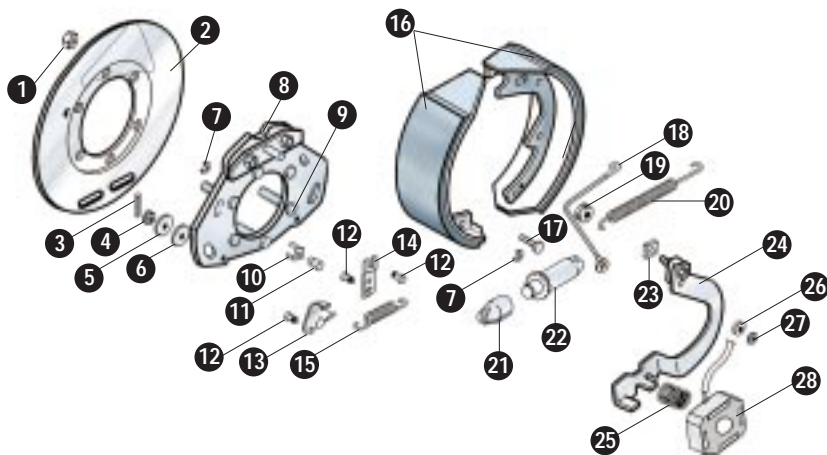


ALKO Heavy Duty Axle



Electric Brake for 10,000 Lb. and 12,000 Lb. Axles



12 1/4" x 3 1/2" Electric Brake Assembly

No.	Brake Part Description	Part No.
0	RH Brake Assembly Complete	568255.1
0	LH Brake Assembly Complete	568255.2
1	Brake Attaching Nut, 1/2" - 20	568235
2	Dust Cover Assembly	568229
3	Shoe Hold Down Cotter Pin	568224
4	Shoe Hold Down Nut	568233
5	Shoe Hold Down Spring	568225
6	Shoe Hold Down Washer	568232
7	Pin Retaining "E" Clip	568249
8	Backing Plate Assembly	—
9	Brake Mounting Stud	568250
10	Strain Relief Adapter	568258
11	Strain Relief	568243
12	Self Adjuster Pivot Pin	568238
13	RH Auto Adjust Lever (shown)	568253
13	LH Auto Adjust Lever	568254
14	Self Adjuster Bias Lever	568241

No.	Brake Part Description (continued)	Part No.
15	Self Adjuster Spring	568239
16	Shoe & Lining	568251
17	Shoe Hold Down Bolt	568227
18	Cable Assembly	568245
19	Cable Guide	568246
20	Retract Spring	568226
21	Self Adjuster Socket	568272
22	RH Adjuster Assembly (shown)	568256
22	LH Adjuster Assembly	568257
23	Slipper Block	568242
24	RH Lever Assembly (shown)	568236
24	LH Lever Assembly	568237
25	Magnet Spring	568240
26	Lever Retaining Washer	568248
27	Lever Retaining "E" Clip	568247
28	Magnet Assembly	568252

ALKO KOBER CORPORATION

21611 Protecta Dr. Elkhart, IN 46516 219-294-6651 219-294-7267 Fax	301 N. Kennedy Shawnee, OK 74801 405-273-9315 405-273-1054 Fax	315 Road 911 Baldwyn, MS 38824 601-365-5566 601-365-9222 Fax
---	---	---