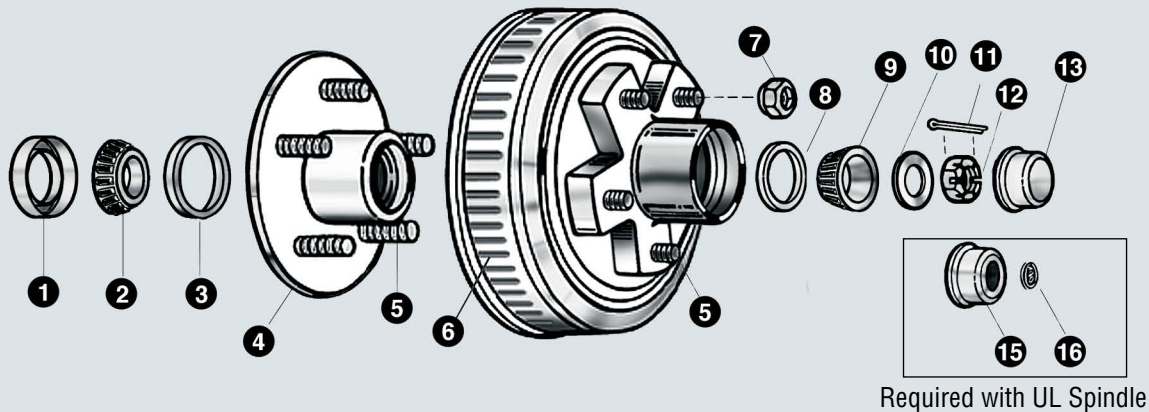


# Service Replacement Parts

## 10" x 2 1/4" Hub/Drum

2,200 – 3,500 lb.



Required with UL Spindle

### Parts List

No.	Brake Part Description	AL-KO Part No.	Hayes Part No.	No.	Brake Part Description	AL-KO Part No.	Hayes Part No.
1	Grease Seal Double Lipped	568861	09103305	6B	5 on 4.75" Bolt Circle	363630	09080428
2	Inner Bearing Cone 68149	363192	093705	6C	5 on 5.0" Bolt Circle	363220	09080257
3	Inner Bearing Cup L68111	363914	093718	6D	5 on 5.5" Bolt Circle	363221	09080327
4	Idler Hub w/Cups & Studs	—	—	6E	6 on 5.5" Bolt Circle	363222	09080367
4A	5 on 4.5" Bolt Circle	363191	09089137	7	Wheel Nut, 1/2" - 20 60° Cone	363203	090608
4B	5 on 4.75" Bolt Circle	363821	09080438	8	Outer Bearing Cup L44610	363913	093707
4C	5 on 5.0" Bolt Circle	363194	09080377	9	Outer Bearing Cone 44649	363180	093706
4D	5 on 5.5" Bolt Circle	363228	09080347	10	Spindle Washer 1" x 1 3/4" OD	363259	090509
4E	6 on 5.5" Bolt Circle	363195	09080357	11	Cotter Pin	363258	091901
5	Stud 1/2" - 20 x 2 (Zinc)	1530092	—	12	Spindle Nut 1" -14	363257	09060101
5A	Stud 1/2" - 20 x 1.81 Short Knurl <small>(Prior 2010)</small>	363908	09251510	13	Grease Cap	363182	092102
5B	Stud 1/2" - 20 x 1.81 Long Knurl <small>(Prior 2010)</small>	363907	09251525	15	Grease Cap (UL)	363277	09210101
6	Hub & Drum/Cups & Studs	—	—	16	Rubber Plug (UL)	568067	09213611
6A	5 on 4.5" Bolt Circle	363219	09080607				

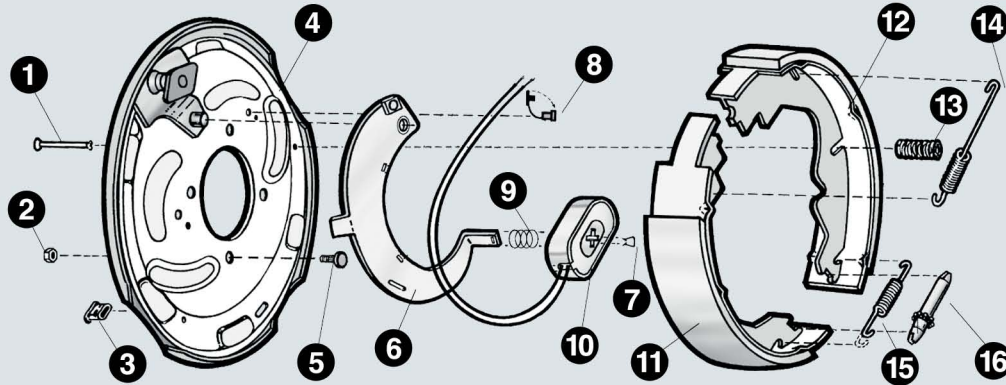
**WARNING:** AL-KO Kober Corporation manufacture hubs and drums that are compatible with many wheels used in the trailer industry that have matching bolt patterns. AL-KO does not manufacture wheels, nor do they recommend a specific wheel for compatibility with the hubs and drums they manufacture. The wheel manufacturer should be contacted for proof of compatibility before use.

# Service Replacement Parts

## 10" x 2 1/4" Electric Brake



2,200 – 3,500 lb.



### Parts List

No.	Brake Part Description	AL-KO Part No.	Hayes Part No.	No.	Brake Part Description	AL-KO Part No.	Hayes Part No.
0	RH Brake Assembly Complete	363383.1	60202703	10	Magnet Assembly (Green Wire)	K568119	M144
0	LH Brake Assembly Complete (Shown)	363383.2	60202803	11	Primary Shoe & Lining	K568112	SL110
1	Shoe Hold Down Pin	568094	09661104	11	Primary Shoe & Lining (Parking Brake)	568173	—
2	Brake Mounting Nut 7/16" - 20	363312	090616	12	Secondary Shoe & Lining	K568112	SL110
3	Plug, Adjuster Slot	568089	096932	12	Secondary Shoe & Lining (Parking Brake)	568174	—
4	Backing Plate Assembly	—	—	13	Shoe Hold Down Cup & Spring	568093	10443
5	Brake Mounting Stud (7/16" - 20)	363900	090762	14	Shoe Retract Spring	568097	09650603
6	RH Lever Assembly	568121	60283001	15	Adjuster Screw Spring	568095	096526
6	LH Lever Assembly (Shown)	568122	60282901	16	Adjuster Screw Assembly	568110	60272401
7	Clip, Wire & Magnet	568092	09680815	16	Adjuster Screw Socket	568086	60272801
8	Strain Relief (Magnet Wire)	568090	092715		Magnet Wire Loom	5683371	
9	Magnet Spring	568103	096522				

**WARNING:** AL-KO Kober Corporation manufacture hubs and drums that are compatible with many wheels used in the trailer industry that have matching bolt patterns. AL-KO does not manufacture wheels, nor do they recommend a specific wheel for compatibility with the hubs and drums they manufacture. The wheel manufacturer should be contacted for proof of compatibility before use.