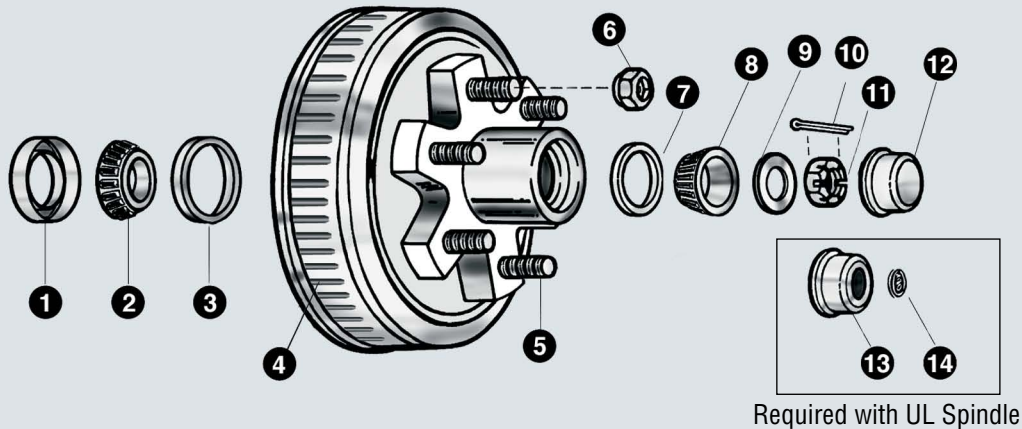


# Service Replacement Parts

## 10" x 2 1/4" Drum 4.4K

4,000 – 4,400 lb.



Required with UL Spindle

### Parts List

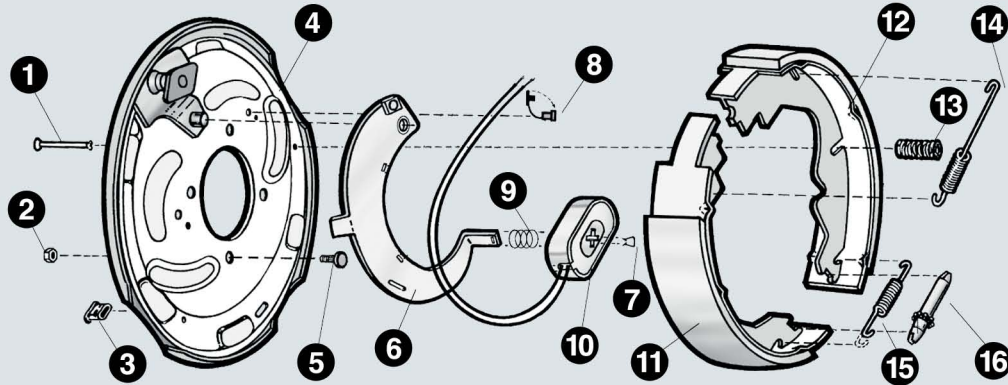
No.	Brake Part Description	AL-KO Part No.	Hayes Part No.	No.	Brake Part Description	AL-KO Part No.	Hayes Part No.
1	Grease Seal Double Lipped	568861	568861	7	Outer Bearing Cup LM67010	363912	093702
2	Inner Bearing Cone 68149	363192	093705	8	Outer Bearing Cone LM67048	363197	093704
3	Inner Bearing Cup L68111	363914	093718	9	Spindle Washer 1" x 1 3/4" OD	363259	090509
4	Hub & Drum w/Cups & Studs	—	—	10	Cotter Pin	363258	091901
4	6 on 5.5" Bolt Circle	—	568955	11	Spindle Nut 1" -14	363257	09060101
5	Stud 1/2" - 20 x 2	1530092	—	12	Grease Cap	363199	092102
5A	Stud 1/2" - 20 x 1.81 Long Knurl <small>(Prior 2010)</small>	363907	09251525	13	Grease Cap (UL)	363496	09210101
6	Wheel Nut, 1/2" - 20 60° Cone	363203	090608	14	Rubber Plug (UL)	568067	09213611

4.0K brake drum service replacement parts can be found on page 34.

**WARNING:** AL-KO Kober Corporation manufacture hubs and drums that are compatible with many wheels used in the trailer industry that have matching bolt patterns. AL-KO does not manufacture wheels, nor do they recommend a specific wheel for compatibility with the hubs and drums they manufacture. The wheel manufacturer should be contacted for proof of compatibility before use.

# Service Replacement Parts

## 10" x 2 1/4" Electric Brake 4.0K / 4.4K



4,000 - 4,400 lb.

### Parts List

No.	Brake Part Description	AL-KO Part No.	Hayes Part No.	No.	Brake Part Description	AL-KO Part No.	Hayes Part No.
0	RH Brake Assembly Complete	—	568998	9	Magnet Spring	568103	096522
0	LH Brake Assembly Complete (Shown)	—	568999	10	Magnet Assembly (Green Wire)	K568119	—
1	Shoe Hold Down Pin	568094	09661104	11	Primary Shoe & Lining	568995	—
2	Brake Mounting Nut 7/16" - 20	363312	090616	12	Secondary Shoe & Lining	568996	—
3	Plug, Adjuster Slot	568089	096932	13	Shoe Hold Down Cap & Spring	568093	10443
4	Backing Plate Assembly	—	—	14	Shoe Retract Spring	568097	09650603
5	Brake Mounting Stud (7/16" - 20)	6722	090762	15	Adjuster Screw Spring	568095	096526
6	RH Lever Assembly	568121	60283001	16	Adjuster Screw Assembly	568110	60272401
6	LH Lever Assembly (Shown)	568122	60282901	16	Adjuster Screw Socket	568086	60272801
7	Clip, Wire & Magnet	568092	09680815		Magnet Wire Loom	5683371	
8	Strain Relief (Magnet Wire)	568090	—				

**WARNING:** AL-KO Kober Corporation manufacture hubs and drums that are compatible with many wheels used in the trailer industry that have matching bolt patterns. AL-KO does not manufacture wheels, nor do they recommend a specific wheel for compatibility with the hubs and drums they manufacture. The wheel manufacturer should be contacted for proof of compatibility before use.