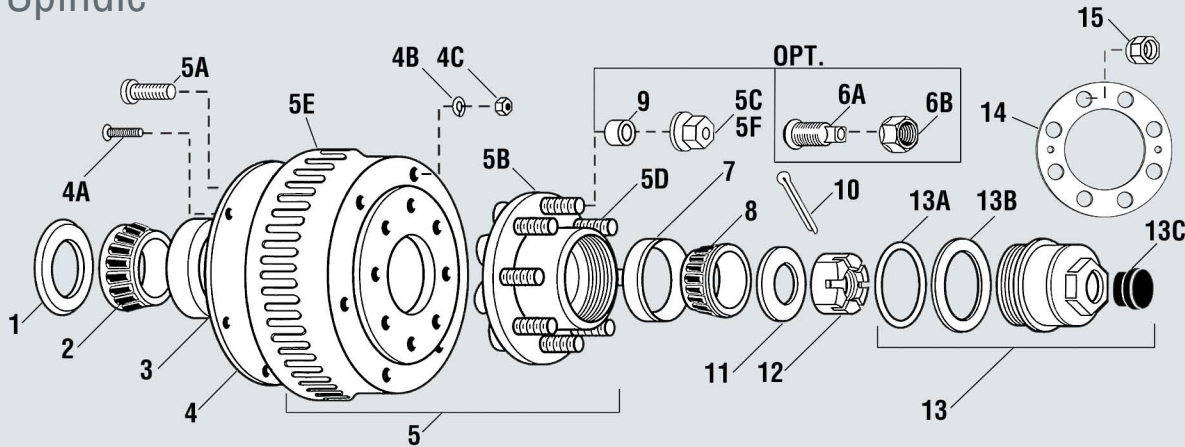


# Hub and Drum Assembly

## Heavy Duty 10K and 12K Axles



### 120 Spindle



### Parts List

No.	Hub Part Description	AL-KO Part No.	Hayes Part No.
8 STUDS ON 6.50 DIAMETER (flat faced shown)			
1	Oil Seal	568217	091023
2	Inner Bearing Cone JM511946	568219	093717
3	Inner Bearing Cup JM 511910	568267	093716
4	Armature Plate	568261	092406
4	Armature Plate w/ Exciter Ring Air Brake	5106	5106
4A	Flat Head Bolt, 1/4" - 20	568263	09070301
4B	Lock Washer, 1/4"	568264	090502
4C	Hex Nut, 1/4" - 20	568265	090610
5	Hub & Drum (F.F.) Elec/Hyd 5/8" Stud	568260	09089401
5	Hub & Drum (Coined) Elec/Hyd 5/8" Stud	090871	090871
5	Hub & Drum (F.F.) Air 5/8" Stud	09089411	09089411
5	Hub & Drum (Coined) Air 5/8" Stud	09080638	09080638
5	Hub & Drum (F.F.) Elec/Hyd 3/4" Stud	09089408	09089408
5	Hub & Drum (Coined) Elec/Hyd 3/4" Stud	09080631	09080631
* 5	Hub & Drum (F.F.) Air 3/4" Stud	09089415	09089415
** 5	Hub & Drum (Coined) Air 3/4" Stud	09080637	09080637
5A	Hub & Drum Mounting Bolt	568262	090745
5B	Hub Assembly (F.F.) 5/8" Stud	568215	09089371
5B	Hub Assembly (Coined) 5/8" Stud	090884	090884
* 5B	Hub Assembly (F.F.) 3/4" Stud	09089372	09089372
** 5B	Hub Assembly (Coined) 3/4" Stud	09080630	09080630
5C	Dual Wheel Nut Swiveling Flange 5/8"	568216	09065602
5C	Swiveling Flange Nut 3/4" (F.F.) 1 5/8"	09065603	09065603
5D	Wheel Stud 5/8" - 18	363910	090737
5D	Wheel Stud 3/4"	09077115	09077115
5E	Drum Only 12.25 x 5.5 L/ Armature	090907	090907
5E	Drum Only Elec/Hyd 12.25 x 3.5 L/Armature	568699	090904
6B	Flange Nut, 3/4" (Coined)	09065105	09065105
7	Outer Bearing Cup JM205110	568266	093714
8	Outer Bearing Cone JM205149	568218	093715
10	Cotter Pin	568137	091903
11	Spindle Washer 1 1/2"	568136	090525
12	Spindle Nut	568135	090623
13	Oil Cap Assembly	K568220	K568220
13A	O-Ring	568222	10693
13C	Plug	568223	092126

No.	Hub Part Description	AL-KO Part No.	Hayes Part No.
13B	Gasket	568297	09103502
* 14	Wheel Clamp Ring for 5/8" Studs	568348	—
15	Wheel Nut 5/8" - 18 90° Cone	363698	—
6 STUDS ON 8.75 DIAMETER			
5	Hub Drum Assembly (Air)	09080724	09080724
5B	Hub	09080786	09080786
5D	Stud 3/4" x 3 1/2"	09077116	09077116
5F	Swiveling Flange Nut - 2" Flange	09065114	09065114
9	Wheel Stud Sleeve	09141905	09141905
HUB WITH DOUBLE CAP NUTS			
5B	RH Hub	09083510	09083510
5B	LH Hub	09083511	09083511
5D	Stud 3/4" RH	09077152	09077152
5D	Stud 3/4" LH	09077153	09077153
6A	Inner Cap Nut RH (Steel Wheels)	09065110	09065110
6A	Inner Cap Nut LH (Steel Wheels)	09065111	09065111
6B	Outer Cap Nut RH (Steel Wheels)	09065112	09065112
6B	Outer Cap Nut LH (Steel Wheels)	09065113	09065113
10 STUDS ON 8.75 DIAMETER			
5	Hub Drum Assembly (Air)	09080721	09080721
5B	Hub	09080783	09080783
5D	Stud 3/4"	09077116	09077116
5F	Swiveling Flange Nut - 2" Flange	09065114	09065114
9	Wheel Stud Sleeve	09141905	09141905
HUB WITH DOUBLE CAP NUTS			
5B	RH Hub	09083530	09083530
5B	LH Hub	09083531	09083531
5D	Stud 3/4" RH	09077152	09077152
5D	Stud 3/4" LH	09077153	09077153
6A	Inner Cap Nut RH (Steel Wheels)	09065110	09065110
6A	Inner Cap Nut LH (Steel Wheels)	09065111	09065111
6B	Outer Cap Nut RH (Steel Wheels)	09065112	09065112
6B	Outer Cap Nut LH (Steel Wheels)	09065113	09065113

\*Used with Flat Face Wheels \*\*Used with Coin In-Out Wheels (Replacement Only)