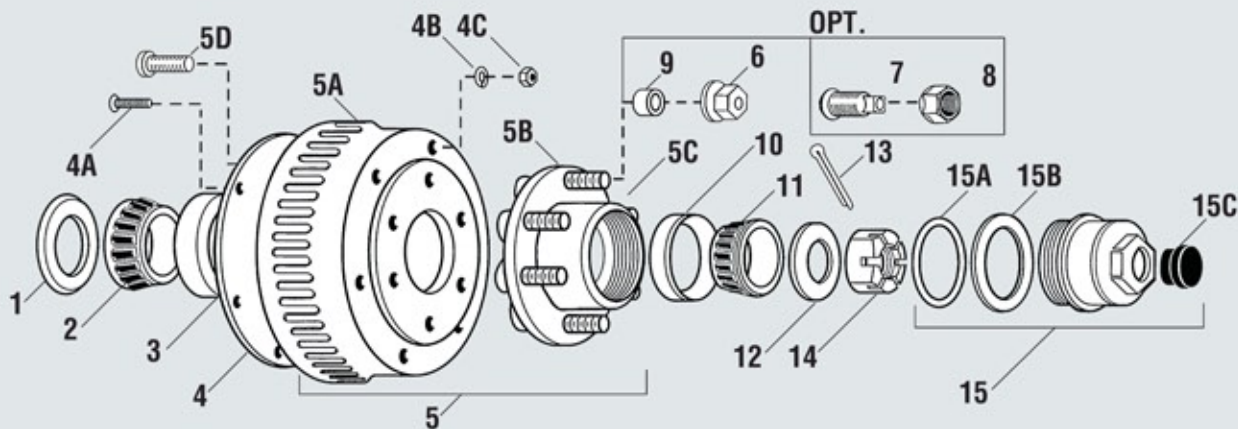


160 Spindle



Parts List

| No. | Hub Part Description | AL-KO Part No. | Hayes Part No. | No. | Hub Part Description | AL-KO Part No. | Hayes Part No. |
|----------------------------------|--|----------------|----------------|--|-------------------------------------|----------------|----------------|
| 1 | Oil Seal | 568217 | 091023 | ** 5B | Hub 10 on 8.75 LH | — | 09083621 |
| 2 | Inner Bearing Cone (39590) | 093747 | 093747 | * 5C | Wheel Stud 3/4" | — | 09077116 |
| 3 | Inner Bearing Cup (39520) | — | 093746 | ** 5C | Wheel Stud 3/4" RH | — | 09077152 |
| 4 | Armature Plate | 568261 | 092406 | ** 5C | Wheel Stud 3/4" LH | — | 09077153 |
| 4 | Armature Plate w/ Exciter Ring ABS Air Brake | — | 5106 | 5D | Hub Drum Mounting Bolt | 568262 | 090745 |
| 4A | Flat Head Bolt 1/4" - 20 | 568263 | 09070301 | * 6 | Swiveling Flange Nut, 3/4 2" Flange | — | 09065114 |
| 4B | Lock Washer 1/4" | 568264 | 090502 | ** 7 | Cap Nut-Inner; for steel wheels RH | — | 09065110 |
| 4C | Nut 1/4" - 20 | 568265 | 090610 | ** 7 | Cap Nut-Inner; for steel wheels LH | — | 09065111 |
| 5A | Drum/Air/Elect. Less Armature | — | 090907 | ** 8 | Cap Nut-Outer RH | — | 09065112 |
| HUBS & DRUMS/ELECTRIC | | | | ** 8 | Cap Nut-Outer LH | — | 09065113 |
| * 5 | Hub & Drum 6 on 8.75 | — | 09080910 | * 9 | Wheel Stud Sleeve | — | 09141905 |
| * 5 | Hub & Drum 10 on 8.75 | — | 09080930 | 10 | Outer Bearing Cup (JM 205110) | 568266 | 093714 |
| ** 5 | Hub & Drum 6 on 8.75 RH | — | 09084110 | 11 | Outer Bearing Cone (JM 205149) | 568218 | 093715 |
| ** 5 | Hub & Drum 6 on 8.75 LH | — | 09084111 | 12 | Spindle Washer | 568136 | 090525 |
| ** 5 | Hub & Drum 10 on 8.75 RH | — | 09084120 | 13 | Cotter Pin | 568137 | 091903 |
| ** 5 | Hub & Drum 10 on 8.75 LH | — | 09084121 | 14 | Spindle Nut | 568135 | 090623 |
| HUBS ELECTRIC/AIR | | | | 15 | Oil Cap Assembly | K568220 | K568220 |
| * 5B | Hub 6 on 8.75 | — | 09080686 | 15A | O-Ring | 568222 | 10693 |
| * 5B | Hub 10 on 8.75 | — | 09080683 | 15B | Gasket | 568297 | 09103502 |
| ** 5B | Hub 6 on 8.75 RH | — | 09083610 | 15C | Plug | 568223 | 092126 |
| ** 5B | Hub 6 on 8.75 LH | — | 09083611 | *Used with 3/4" Swiveling Flange Nuts (2" Diameter Flange) | | | |
| ** 5B | Hub 10 on 8.75 RH | — | 09083620 | **Used with 3/4" Double Cap Nuts | | | |

10 - 16K