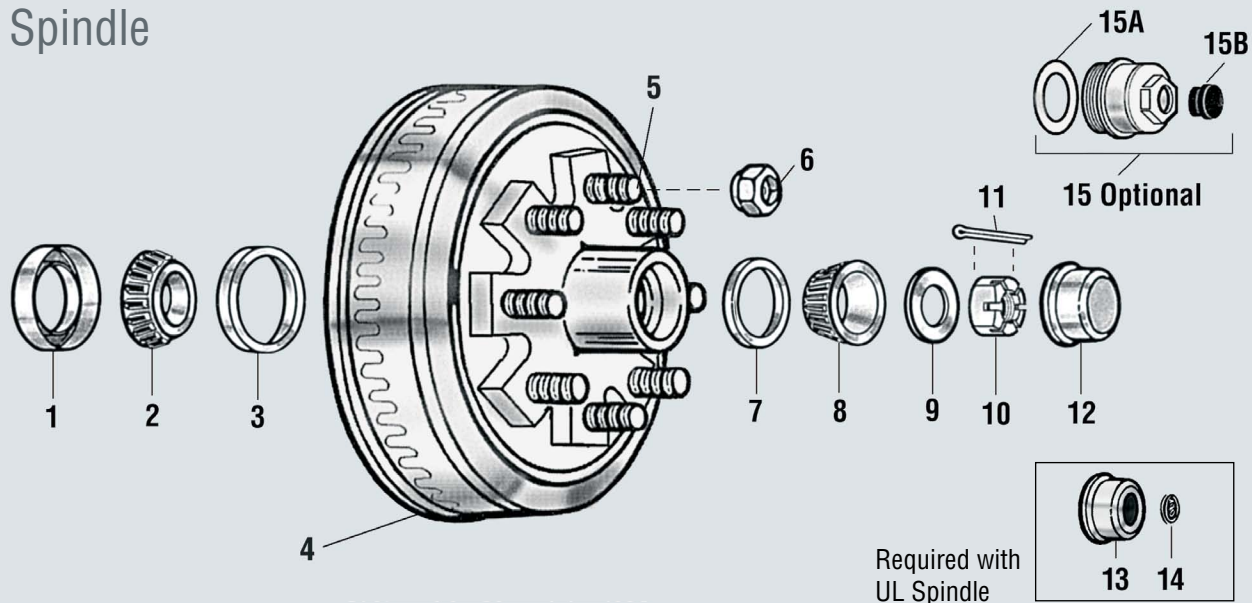


Service Replacement Parts

12" x 2" Brake Drum RT-80, ST-80 and DR-80

42 Spindle



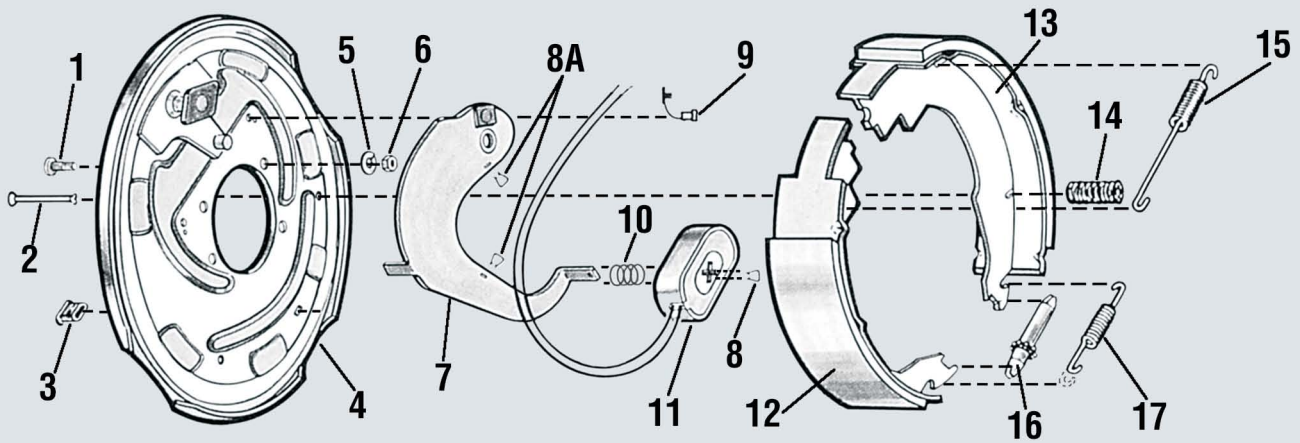
Parts List

No.	Hub Part Description	AL-KO Part No.	Hayes Part No.	No.	Hub Part Description	AL-KO Part No.	Hayes Part No.
1	Oil Seal	568284	09103309	7	Outer Bearing Cup, 02420	363917	093744
2	Inner Bearing Cone 25580	363196	093703	8	Outer Bearing Cone, 02475	363604	093745
3	Inner Bearing Cup 25520	363911	093701	9	Spindle Washer	568326	090509
4	9/16" Oil Hub & Drum	568969	—	10	Spindle Nut	363257	09060101
4A	9/16" Grease Hub & Drum	568896	—	11	Cotter Pin	363258	091901
4B	5/8" Oil Hub & Drum	568970	—	12	Grease Cap	363419	092110
4C	5/8" Grease Hub & Drum	568931	—	13	Grease Cap (UL)	363775	09210103
5	Wheel Stud 9/16" - 18	363906	09251100	14	Rubber Plug (UL)	568067	09213611
5A	Wheel Stud 5/8" - 18 x 3.00"	363910	090737	15	Oil Cap Assembly	K568347	—
6	Wheel Nut 9/16" - 18 60° Cone	363895	090640	15A	Gasket, Oil Cap	568298	09103501
6A	Wheel Nut 5/8" - 18 90° Cone	363698	090643	15B	Oil Cap Plug	568223	092126

WARNING: AL-KO Kober Corporation manufacture hubs and drums that are compatible with many wheels used in the trailer industry that have matching bolt patterns. AL-KO does not manufacture wheels, nor do they recommend a specific wheel for compatibility with the hubs and drums they manufacture. The wheel manufacturer should be contacted for proof of compatibility before use.

Service Replacement Parts

12" x 2" Electric Brake RT-80, ST-80 and DR-80



Parts List

No.	Brake Part Description	AL-KO Part No.	Hayes Part No.	No.	Brake Part Description	AL-KO Part No.	Hayes Part No.
0	RH Brake Assembly Complete	568905	—	9	Strain Relief, Wire	568090	092715
0	LH Brake Assembly Complete (shown)	568906	—	10	Magnet Spring	568103	096522
1	Brake Mounting Stud, 1/2" - 20	363989	090761	11	Magnet Assembly	568111	K568111
2	Shoe Hold Down Pin	568094	09661106	12	Primary Shoe & Lining	568150	—
3	Plug Adjuster Slot	568089	096932	13	Secondary Shoe & Lining RH	6138	—
4	Backing Plate Assembly - 4 Bolt	—	—	13	Secondary Show & Lining LH	6137	—
5	Brake Lock Washer 3/8"	363334	363334	14	Shoe Hold Down Cup & Spring	568093	10443
6	Brake Mounting Nut 3/8" - 24	363333	090625	15	Shoe Retract Spring	568096	096527
7	RH Lever Assembly	568113	—	16	Adjuster Screw Assembly	568110	60272401
7	LH Lever Assembly (Shown)	568114	—	16	Adjuster Screw Socket	568086	60272801
8	Clip, Wire & Magnet	568092	09680815	17	Adjuster Screw Spring	568095	096526
8A	Clip Wire Retainer	568183	—				

WARNING: AL-KO Kober Corporation manufacture hubs and drums that are compatible with many wheels used in the trailer industry that have matching bolt patterns. AL-KO does not manufacture wheels, nor do they recommend a specific wheel for compatibility with the hubs and drums they manufacture. The wheel manufacturer should be contacted for proof of compatibility before use.

8,000 lb.