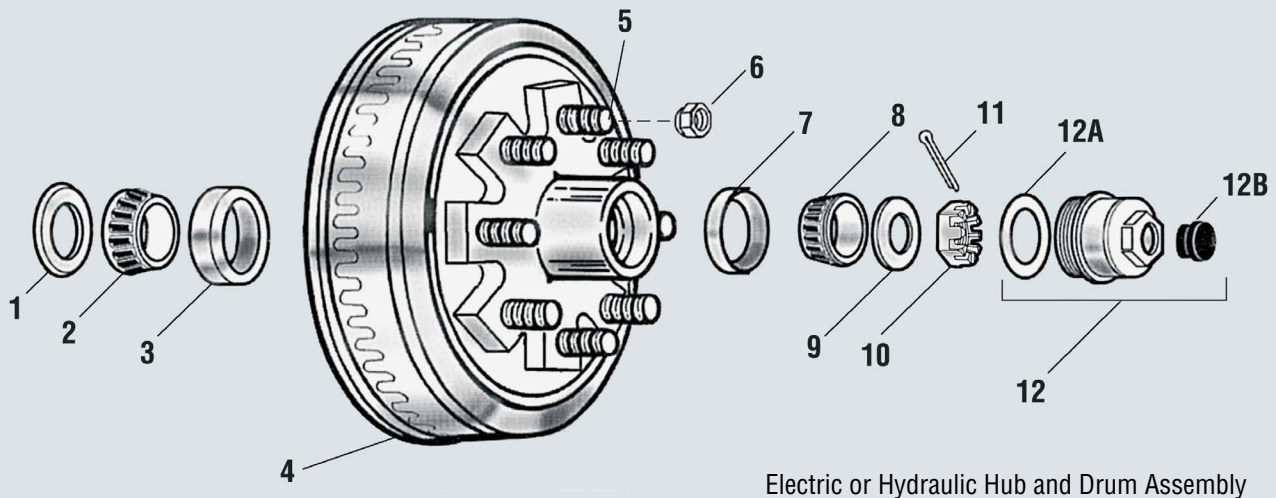


Service Replacement Parts

12" x 3 3/8" Brake Drum T-80, D-80 and H-80

42 Spindle



Electric or Hydraulic Hub and Drum Assembly

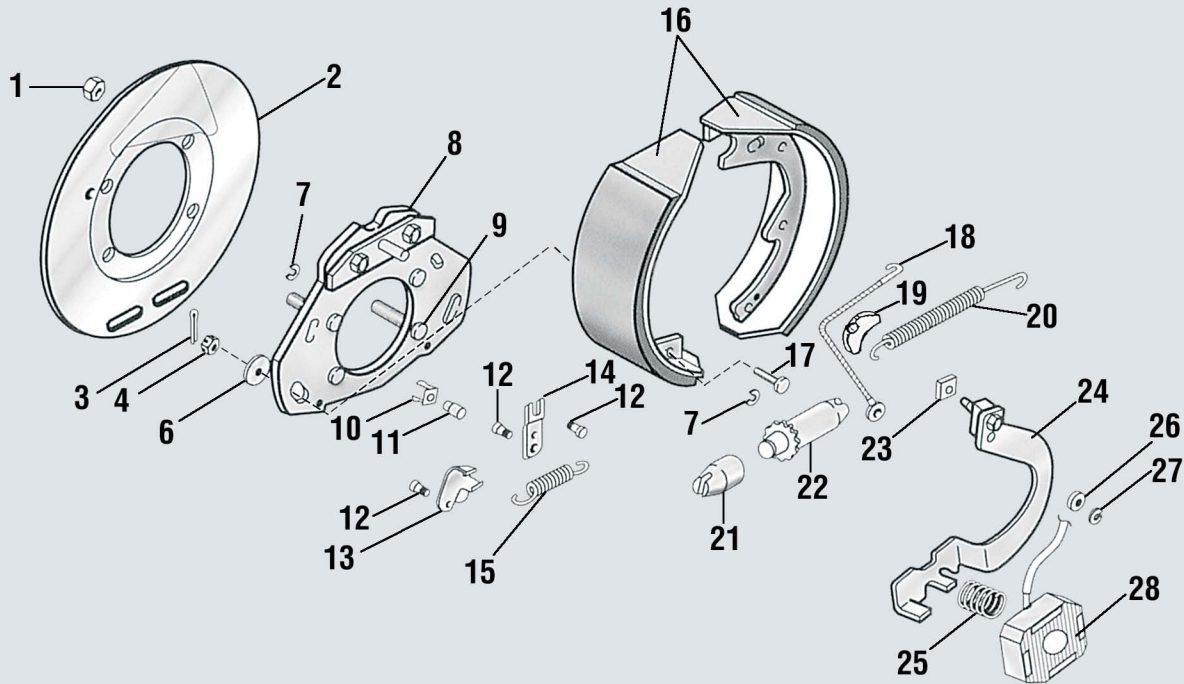
Parts List

No.	Hub Part Description	AL-KO Part No.	Hayes Part No.	No.	Hub Part Description	AL-KO Part No.	Hayes Part No.
1	Oil Seal	568284	09103309	7	Outer Bearing Cup, 02420	363917	093744
2	Inner Bearing Cone 25580	363196	093703	8	Outer Bearing Cone, 02475	363604	093745
3	Inner Bearing Cup 25520	363911	093701	9	Spindle Washer	568326	090509
4	Hub & Drum 9/16" Stud 4.75 pilot	363694	09080644	10	Spindle Nut	363257	09060101
4A	Hub & Drum 5/8" Stud 4.75 pilot	363697	09080654	11	Cotter Pin	363258	091901
5	Wheel Stud 9/16" - 18	363906	09251100	12	Oil Cap Assembly	K363587	K363587
5A	Wheel Stud 5/8" - 18 x 3.00"	363910	090737	12	Oil Cap Assembly (Hayes prior to 1997)	K363587.1	K363587.1
6	Wheel Nut 9/16" - 18 60° Cone	363895	090640	12A	Gasket, Oil Cap	568298	09103501
6A	Wheel Nut 5/8" - 18 90° Cone	363698	090643	12B	Oil Cap Plug	568223	092126

WARNING: AL-KO Kober Corporation manufacture hubs and drums that are compatible with many wheels used in the trailer industry that have matching bolt patterns. AL-KO does not manufacture wheels, nor do they recommend a specific wheel for compatibility with the hubs and drums they manufacture. The wheel manufacturer should be contacted for proof of compatibility before use.

Service Replacement Parts

12" x 3 3/8" Electric Drum T-80, D-80 and H-80



Parts List

No.	Brake Part Description	AL-KO Part No.	Hayes Part No.	No.	Brake Part Description	AL-KO Part No.	Hayes Part No.
0	RH Brake Assembly complete (shown)	363602	60204306	16	Shoe and Lining Kit	K363924	K363924
0	LH Brake Assembly Complete	363601	60204406	17	Shoe Hold Down Bolt	568227	090759
1	Brake Attaching Nut, 1/2" - 20	568235	090617	18	Cable Assembly	568245	096936
2	Dust Cover	568289	09694612	19	Cable Guide	568246	5758
3	Shoe Hold Down Cotter Pin	568224	091905	20	Shoe Retract Spring	568226	5609
4	Shoe Hold Down Nut	568233	090647	21	Self Adjuster Socket	568272	602723
6	Shoe Hold Down Washer	568232	090541	22	RH Adjuster Assembly (shown)	568256	602717
7	Pin Retaining "C" Clip	568249	096806	22	LH Adjuster Assembly	568257	602718
8	Backing Plate Assembly	—	—	23	Slipper Block	568242	096939
9	Brake Mounting Stud 1/2" - 20	568250	09251523	24	RH Lever Assembly (shown)	568236	603135
10	Strain Relief Adapter	568258	096937	24	LH Lever Assembly	568237	603136
11	Strain Relief	568243	092715	25	Magnet Spring	568240	096522
12	Self Adjuster Pivot Pin	568238	096618	26	Lever Retaining Washer	568248	090540
13	RH Auto Adjust Lever (shown)	568253	096321	27	Lever Retaining "E" Clip	568247	096803
13	LH Auto Adjust Lever	568254	096322	28	Magnet	—	—
14	Self Adjuster Bias Lever	568241	096323	29	Magnet Assembly Kit contains #10, #11, #25, #28	K568252	K568252
15	Self Adjuster Spring	568239	096523				

WARNING: AL-KO Kober Corporation manufacture hubs and drums that are compatible with many wheels used in the trailer industry that have matching bolt patterns. AL-KO does not manufacture wheels, nor do they recommend a specific wheel for compatibility with the hubs and drums they manufacture. The wheel manufacturer should be contacted for proof of compatibility before use.

8,000 lb.