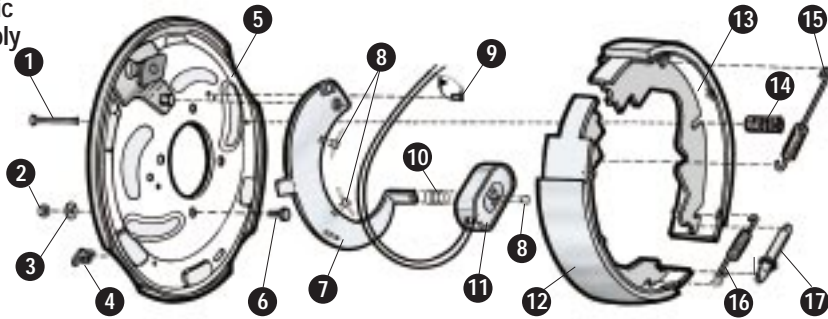
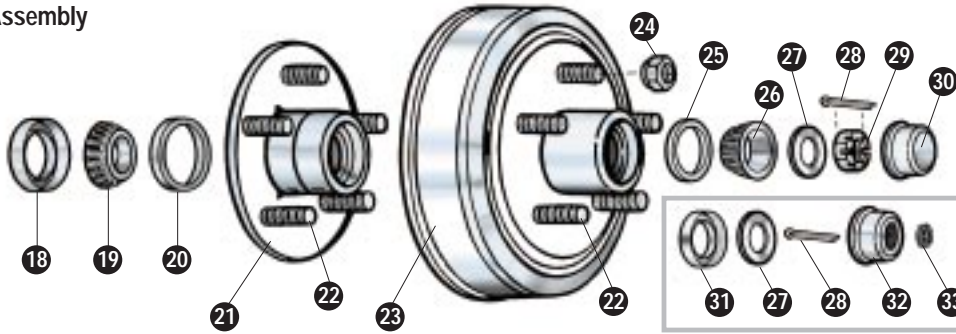


# ALKO Electric Brakes, Hubs & Drums

10 x 2 1/4 Electric Brake Assembly



Hub Assembly



Hub & Drum Assembly

No.	Brake Part Description	Part No.
0	RH Brake Assembly Complete	363383.1
0	LH Brake Assembly Complete (Shown)	363383.2
1	Shoe Hold Down Pin	568094
2	Brake Mounting Nut 7/16"-20	363312
3	Brake Lockwasher 7/16"	363335
4	Plug Adjuster Slot	568089
5	Backing Plate Assembly	—
6	Brake Mounting Stud (7/16"-20)	363900
7	RH Lever Assembly	568121
7	LH Lever Assembly (Shown)	568122
8	Clip, Wire & Magnet	568092
9	Strain Relief, Wire	568090
10	Magnet Spring	568103
11	Magnet Assembly (Green Wire)	568119
12	Primary Shoe & Lining	568112
13	Secondary Shoe & Lining	568117
14	Shoe Hold Down Spring	568093
15	Shoe Retractor Spring	568097
16	Adjuster Screw Spring	568095
17	Adjuster Screw Assembly	568110
17	Adjuster Screw Socket	568086

No.	Hub Part Description	Part No.
18	Grease Seal	363193
19	Inner Bearing Cone 68149	363192
20	Inner Bearing Cup L68111	363194
21	Idler Hub w/Cups & Studs	—
21A	5 on 4.5" Bolt Circle	363191
21B	5 on 4.75" Bolt Circle	363821
21C	5 on 5.0" Bolt Circle	363194
21D	5 on 5.5" Bolt Circle	363228
21E	6 on 5.5" Bolt Circle	363195
22	Stud 1/2"-20	363907
23	Hub & Drum w/Cups & Studs	—
23A	5 on 4.5" Bolt Circle	363219
23B	5 on 4.75" Bolt Circle	363630
23C	5 on 5.0" Bolt Circle	363220
23D	5 on 5.5" Bolt Circle	363221
23E	6 on 5.5" Bolt Circle	363222
24	Wheel Nut, 1/2 -20 60° Cone	363203
25	Outer Bearing Cup L44610	363913
26	Outer Bearing Cone 44649	363180
27	Spindle Washer 1"	363259
28	Cotter Pin	363258
29	Spindle Nut 1"-14	363257
30	Grease Cap	363182
31	Grease Seal Dbl Lip Spring (AG)	363276
32	Grease Cap (AG)	363277
33	Rubber Plug (AG)	568067

## ALKO KOBER CORPORATION

21611 Protecta Dr.  
Elkhart, IN 46516  
219-294-6651  
219-294-7267 Fax

301 N. Kennedy  
Shawnee, OK 74801  
405-273-9315  
405-273-1054 Fax

315 Road 911  
Baldwyn, MS 38824  
662-365-5566  
662-365-9222 Fax