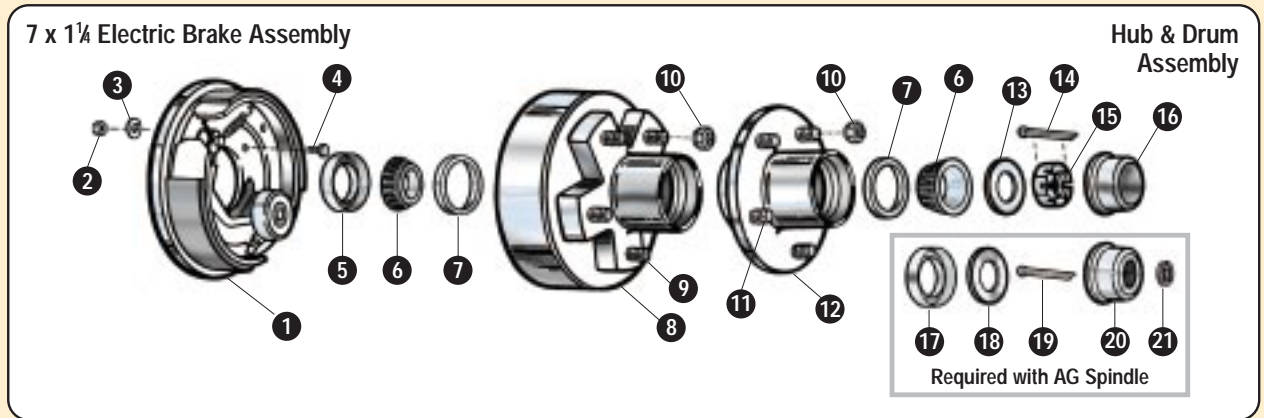


ALKO BT Hub Group



No.	Part Description	Part No.
1	RH 7" Electric Brake Assembly	363225.1
1	LH 7" Electric Brake Assembly	363225.2
2	Brake Mounting Nut 7/16" - 20	363312
3	Brake Lock Washer 7/16"	363335
4	Brake Mounting Stud 7/16" - 20	363900
5	Grease Seal	363181
6	Bearing Cone (Inner & Outer) 44649	363180
7	Bearing Cup (Inner & Outer) L44610	363913
8	7" Hub & Drum, Cupped & Studded	—
8A	4 on 4.0" Bolt Circle	363215
8B	5 on 4.5" Bolt Circle	363216
9	Stud, Double Threaded	363466
10	Wheel Nut 1/2" - 20 60° Cone	363203
11	Stud, 1/2" - 20	363908
12	BT Idler Hub, Cupped & Studded	—
12A	4 on 4.0" Bolt Circle	363185
12B	5 on 4.5" Bolt Circle	363188
12C	5 on 4.5" Bolt Circle (Wide Flange)	363190
13	Spindle Washer 1"	363259
14	Cotter Pin	363258
15	Spindle Nut 1"-14	363257
16	Grease Cap	363182
17	Grease Seal Double Lip Spring (AG)	363275
18	Washer 1"	363259
19	Cotter Pin	363258
20	Grease Cap (AG)	363277
21	Rubber Plug (AG)	568067

ALKO KOBER CORPORATION

21611 Protecta Dr.
Elkhart, IN 46516
219-294-6651
219-294-7267 Fax

301 N. Kennedy
Shawnee, OK 74801
405-273-9315
405-273-1054 Fax

315 Road 911
Baldwyn, MS 38824
662-365-5566
662-365-9222 Fax