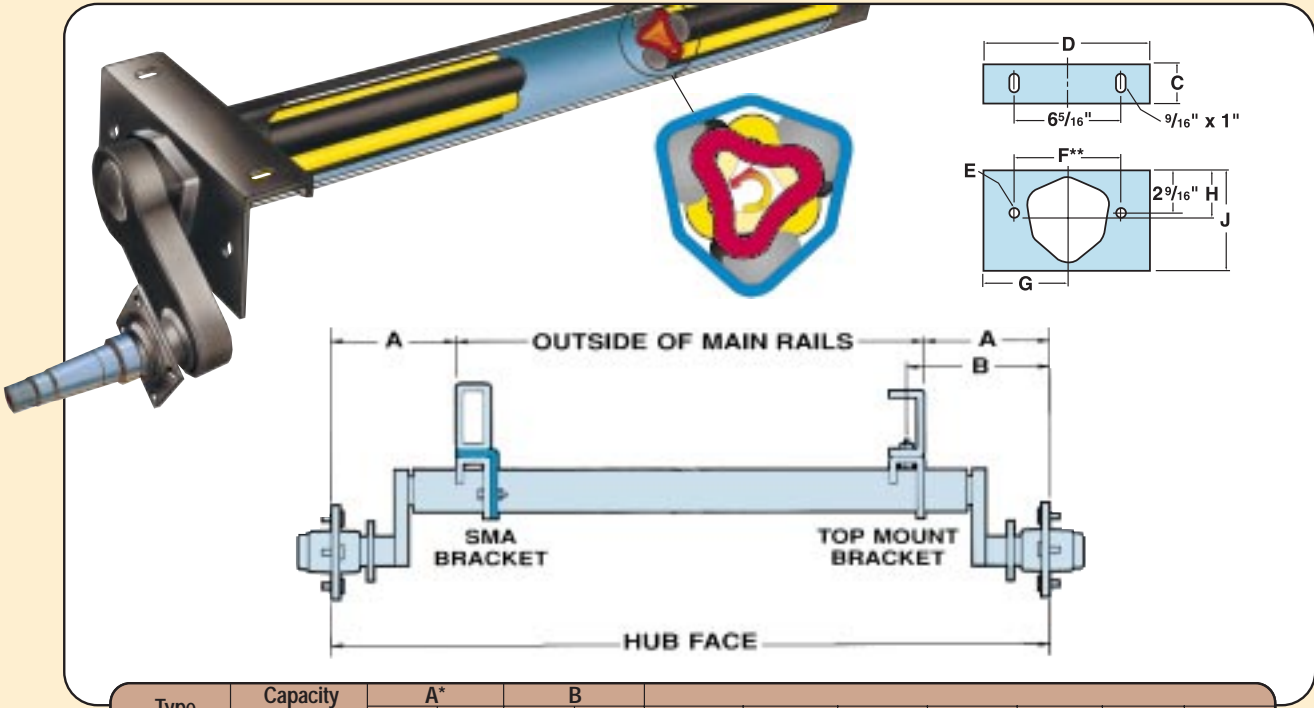


ALKO Rubber Suspension Axles



500 to 2,200 Lbs. Capacity

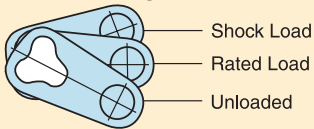


Type	Capacity Max	A*		B		C	D	E	F**	G	H	J
		Min	Max	Min	Max							
S-10	1000	4.7	8.7	5.7	9.7	2.0	7.9	.56	6.3	3.95	1.7	3.5
SF-10	1000	5.7	9.7	6.7	10.7	2.0	7.9	.56	6.3	3.95	1.7	3.5
S-19	2200	6.0	10.0	7.0	11.0	2.0	7.9	.56	6.3	3.95	2.0	4.2
SF-19	2200	6.0	10.0	7.0	11.0	2.0	7.9	.56	6.3	3.95	2.0	4.2

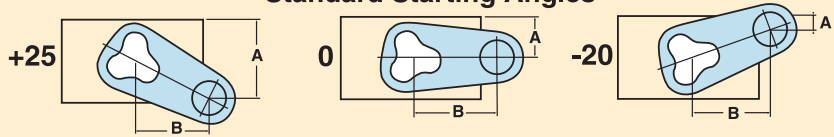
* Add 1" to min. for side mount brackets turned outward.

**Side mount holes optional, specify when ordering.

Total Swing Arm Travel



Standard Starting Angles



	Start Angle	A			B		
		Unloaded	Rated Load	Shock Load	Unloaded	Rated Load	Shock Load
S-10 SF-10	+ 40	5.0	3.6	2.1	3.9	4.7	5.1
	+ 20	3.5	1.7	0.0	4.8	5.1	4.7
	+ 10	2.6	0.8	(0.9)	5.0	5.0	4.3
	0	1.7	0.0	(1.6)	5.1	4.8	3.9
	- 10	0.8	(0.9)	(2.3)	5.0	4.4	3.5
	- 20	0.0	(1.5)	(3.0)	4.8	4.0	2.9
S-19 SF-19	+ 40	5.8	3.8	2.4	4.5	5.6	5.9
	+ 25	4.5	2.0	0.5	5.3	5.9	5.6
	+ 10	3.0	0.6	(1.0)	5.8	5.7	5.0
	0	2.0	(0.4)	(1.8)	5.9	5.4	4.5
	- 10	1.0	(1.3)	(2.5)	5.8	4.9	4.1
	- 20	0.0	(2.2)	(3.4)	5.5	4.5	3.4

Figures in () indicate spindle center above top of bracket.