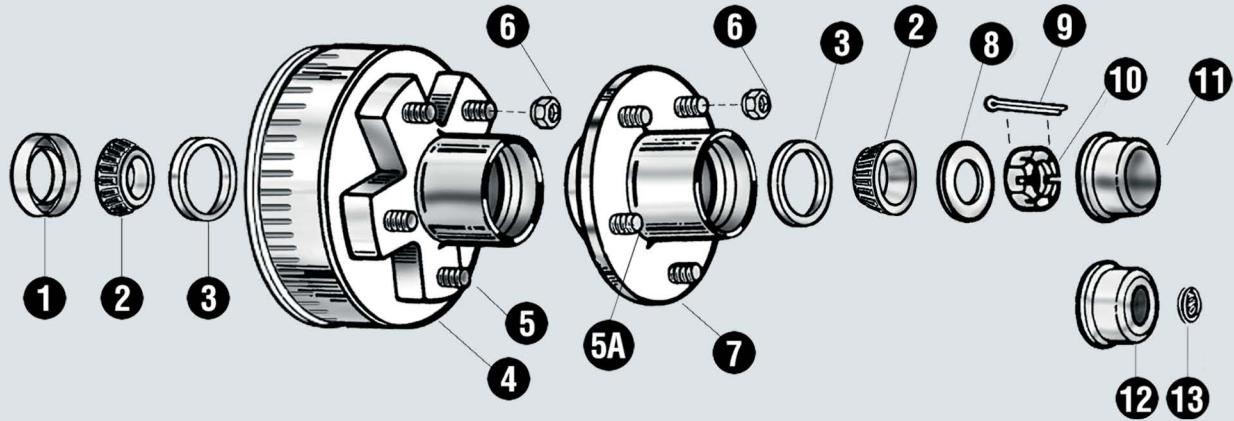


Service Replacement Parts

7" x 1 1/4" Hub/Drum



Parts List

No.	Brake Part Description	AL-KO Part No.	Hayes Part No.	No.	Brake Part Description	AL-KO Part No.	Hayes Part No.
1	Grease Seal Double Lipped	568886	—	7A	4 on 4.0" Bolt Circle	363185	09080388
2	Bearing Cone (Inner & Outer) 44649	363180	093706	7B	5 on 4.5" Bolt Circle	363188	09080398
3	Bearing Cup (Inner & Outer) L44610	363913	093707	7C	5 on 4.5" Bolt Circle (Wide Flange)	363190	09080408
4	7" Hub & Drum, Cupped & Studded	—	—	8	Spindle Washer 1" x 1 3/4" O.D.	363259	090509
4A	4 on 4.0" Bolt Circle	363215	—	9	Cotter Pin	363258	091901
4B	5 on 4.5" Bolt Circle	363216	09080220	10	Spindle Nut 1" - 14	363257	090601
5	Stud, 1/2" - 20 x 1.81 Long Knurl	363907	09251525	11	Grease Cap	363182	092102
5A	Stud, 1/2" - 20 x 1.81 Short Knurl	363908	09251510	12	Grease Cap (UL)	363277	09210101
6	Wheel Nut 1/2" - 20 60° Cone	363203	090608	13	Rubber Plug (UL)	568067	09213611
7	BT Idler Hub, Cupped & Studded	—	—				

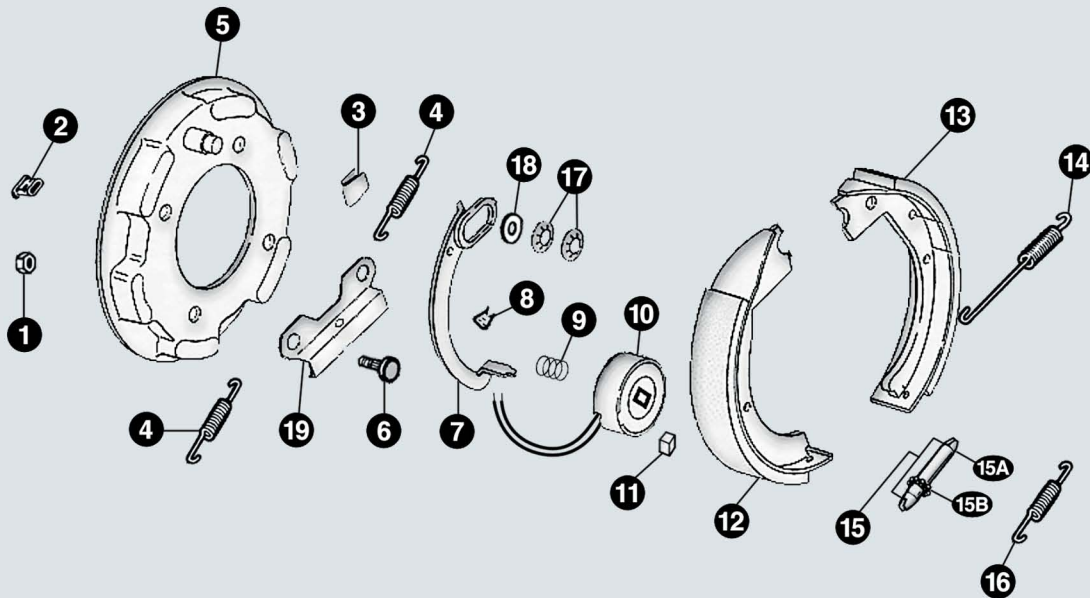
WARNING: AL-KO Kober Corporation manufacture hubs and drums that are compatible with many wheels used in the trailer industry that have matching bolt patterns. AL-KO does not manufacture wheels, nor do they recommend a specific wheel for compatibility with the hubs and drums they manufacture. The wheel manufacturer should be contacted for proof of compatibility before use.

Service Replacement Parts

7" x 1 1/4" Electric Brake



500 - 2,200 lb.



Parts List

No.	Brake Part Description	AL-KO Part No.	Hayes Part No.	No.	Brake Part Description	AL-KO Part No.	Hayes Part No.
0	RH Brake Assembly Complete	623763	09230201	10	Magnet Assembly	623752	—
0	LH Brake Assembly Complete (Shown)	623762	09230202	11	Clip, Magnet	606358	—
1	Brake Mounting Nut 7/16" - 20	363312	090616	12	Primary Shoe & Lining (Shown)	623757	—
2	Plug Adjuster Slot	606367	—	13	Secondary Shoe & Lining	623758	—
3	Shoe Hold Down Clip	606366	—	14	Shoe Retractor Spring	606382	—
4	Shoe Centering Spring	606380	—	15	Adjuster Screw Assembly	606357	—
5	Backing Plate Assembly	N/A	—	15A	Adjuster Screw Socket	606364	—
6	Brake Mounting Stud (7/16" - 20)	606360	—	15B	7" Adjuster Nut	606356	—
7	RH Lever Assembly	623754	—	16	Adjuster Screw Spring	606374	—
7	LH Lever Assembly (Shown)	623753	—	17	Clip, Anchor Pin/Lever	606372	—
8	Clip, Wire	606373	—	18	7" Brake Washer	700140	—
9	Magnet Spring	606381	—	19	Support Plate 7" Electric Brake	606369	—

WARNING: AL-KO Kober Corporation manufacture hubs and drums that are compatible with many wheels used in the trailer industry that have matching bolt patterns. AL-KO does not manufacture wheels, nor do they recommend a specific wheel for compatibility with the hubs and drums they manufacture. The wheel manufacturer should be contacted for proof of compatibility before use.