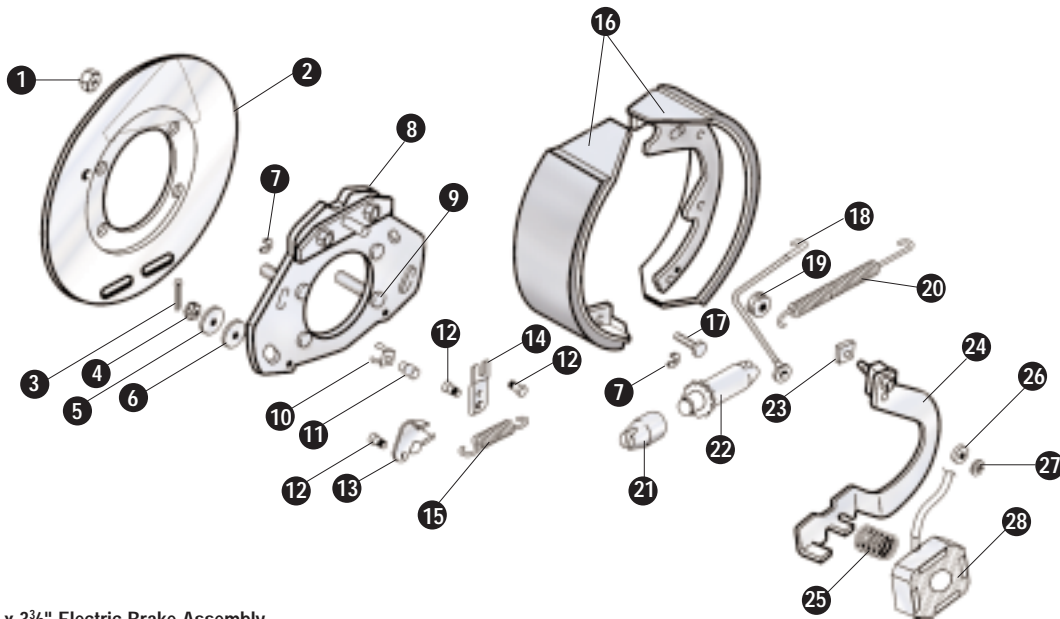


# ALKO Heavy Duty Axles



## Electric Brake for 8,000 Lb. Axles



12" x 3<sup>3</sup>/<sub>8</sub>" Electric Brake Assembly

| No. | Brake Part Description             | Part No. |
|-----|------------------------------------|----------|
| 0   | RH Brake Assembly Complete (shown) | 363602   |
| 0   | LH Brake Assembly Complete         | 363601   |
| 1   | Brake Attaching Nut, 1/2" - 20     | 568235   |
| 2   | Dust Cover                         | 568289   |
| 3   | Shoe Hold Down Cotter Pin          | 568224   |
| 4   | Shoe Hold Down Nut                 | 568233   |
| 5   | Shoe Hold Down Spring              | 568225   |
| 6   | Shoe Hold Down Washer              | 568232   |
| 7   | Pin Retaining "E" Clip             | 568249   |
| 8   | Backing Plate Assembly             | —        |
| 9   | Brake Mounting Stud                | 568250   |
| 10  | Strain Relief Adapter              | 568258   |
| 11  | Strain Relief                      | 568243   |
| 12  | Self Adjuster Pivot Pin            | 568238   |
| 13  | RH Auto Adjust Lever (shown)       | 568253   |
| 13  | LH Auto Adjust Lever               | 568254   |
| 14  | Self Adjuster Bias Lever           | 568241   |

| No. | Brake Part Description (continued) | Part No. |
|-----|------------------------------------|----------|
| 15  | Self Adjuster Spring               | 568239   |
| 16  | Shoe & Lining Assembly             | 363924   |
| 17  | Shoe Hold Down Bolt                | 568227   |
| 18  | Cable Assembly Self Adjuster       | 568245   |
| 19  | Cable Guide                        | 568246   |
| 20  | Retract Spring                     | 568226   |
| 21  | Self Adjuster Socket               | 568272   |
| 22  | RH Adjuster Assembly (shown)       | 568256   |
| 22  | LH Adjuster Assembly               | 568257   |
| 23  | Slipper Block                      | 568242   |
| 24  | RH Lever Assembly (shown)          | 568236   |
| 24  | LH Lever Assembly                  | 568237   |
| 25  | Magnet Spring                      | 568240   |
| 26  | Lever Retaining Washer             | 568248   |
| 27  | Lever Retaining "E" Clip           | 568247   |
| 28  | Magnet Assembly                    | 568252   |